

Fig. 1

FIG. 2

10

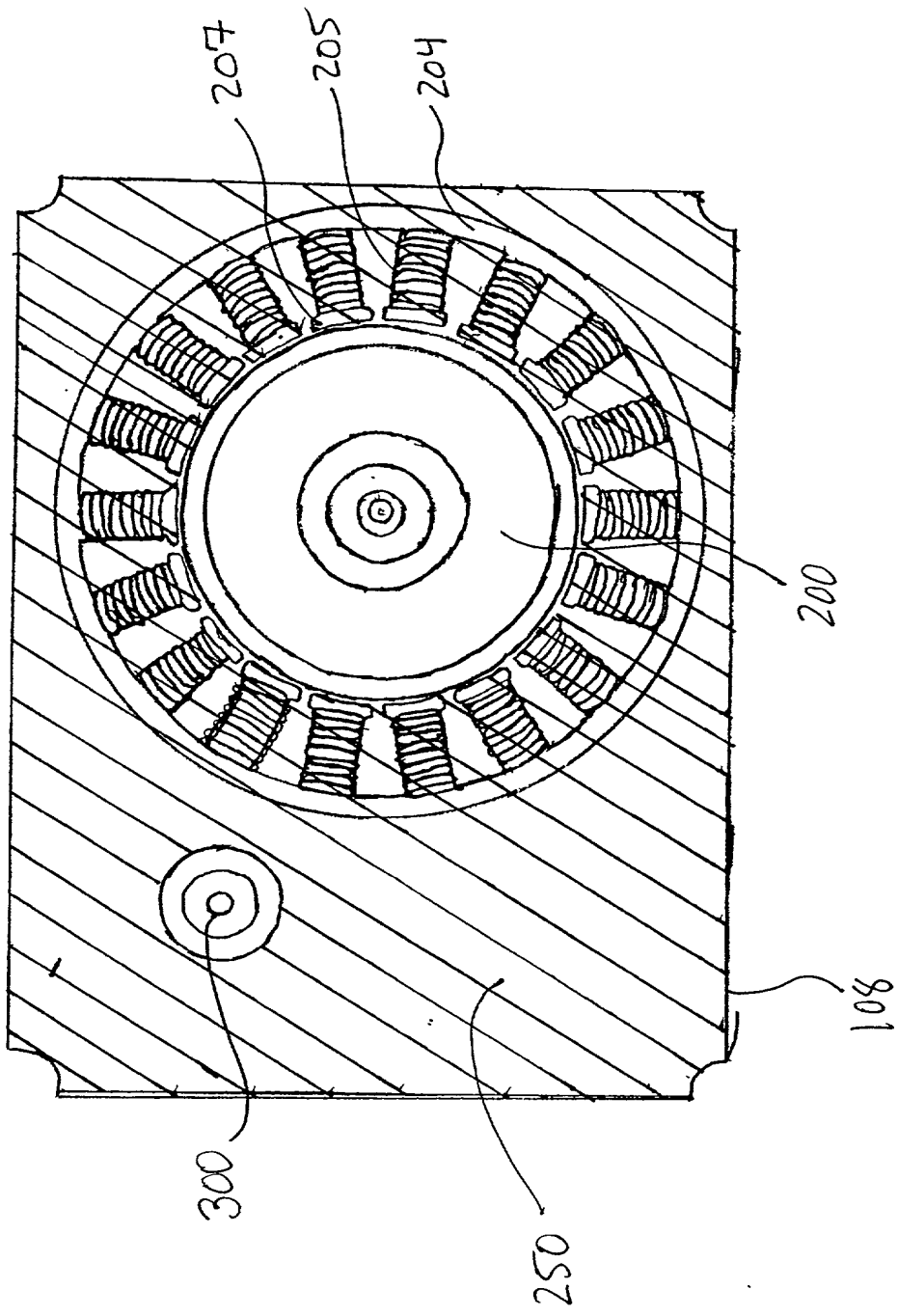


FIG. 3

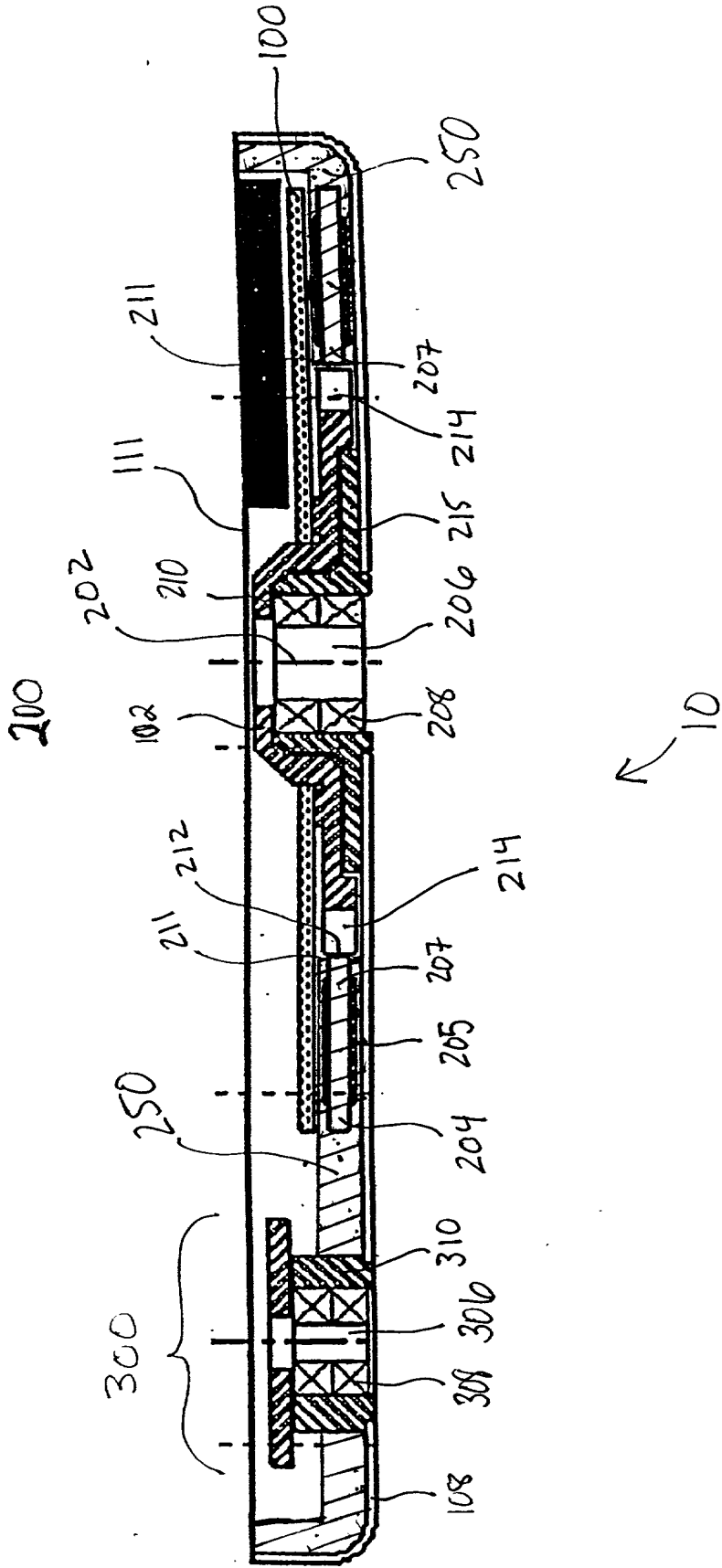


Fig. 4

FIG. 4 - FRONT VIEW

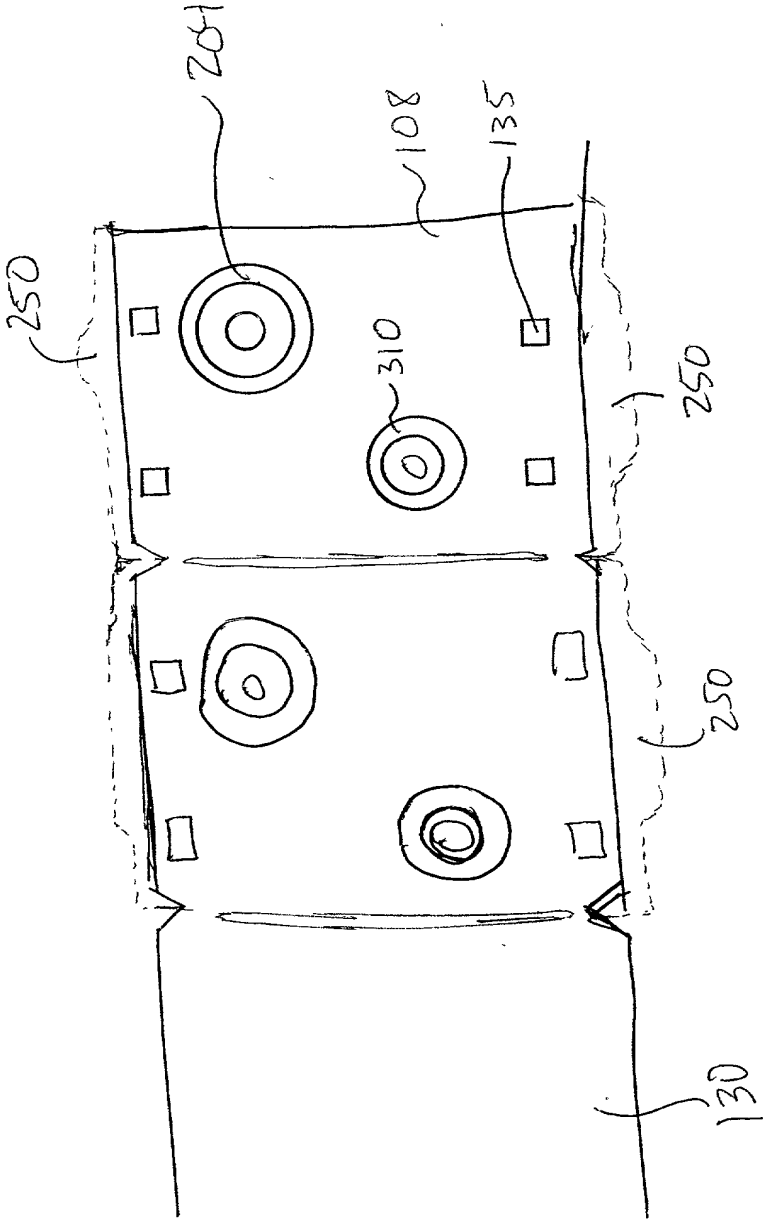


FIG. 5

Encapsulated  
actuator (310)

Encapsulated  
Spindle motor  
stator (209)

Unmolded  
strip  
(130)

Metal  
~~strip~~  
strip (130)  
"Carrier"

Molded  
Drive Frame  
(108)

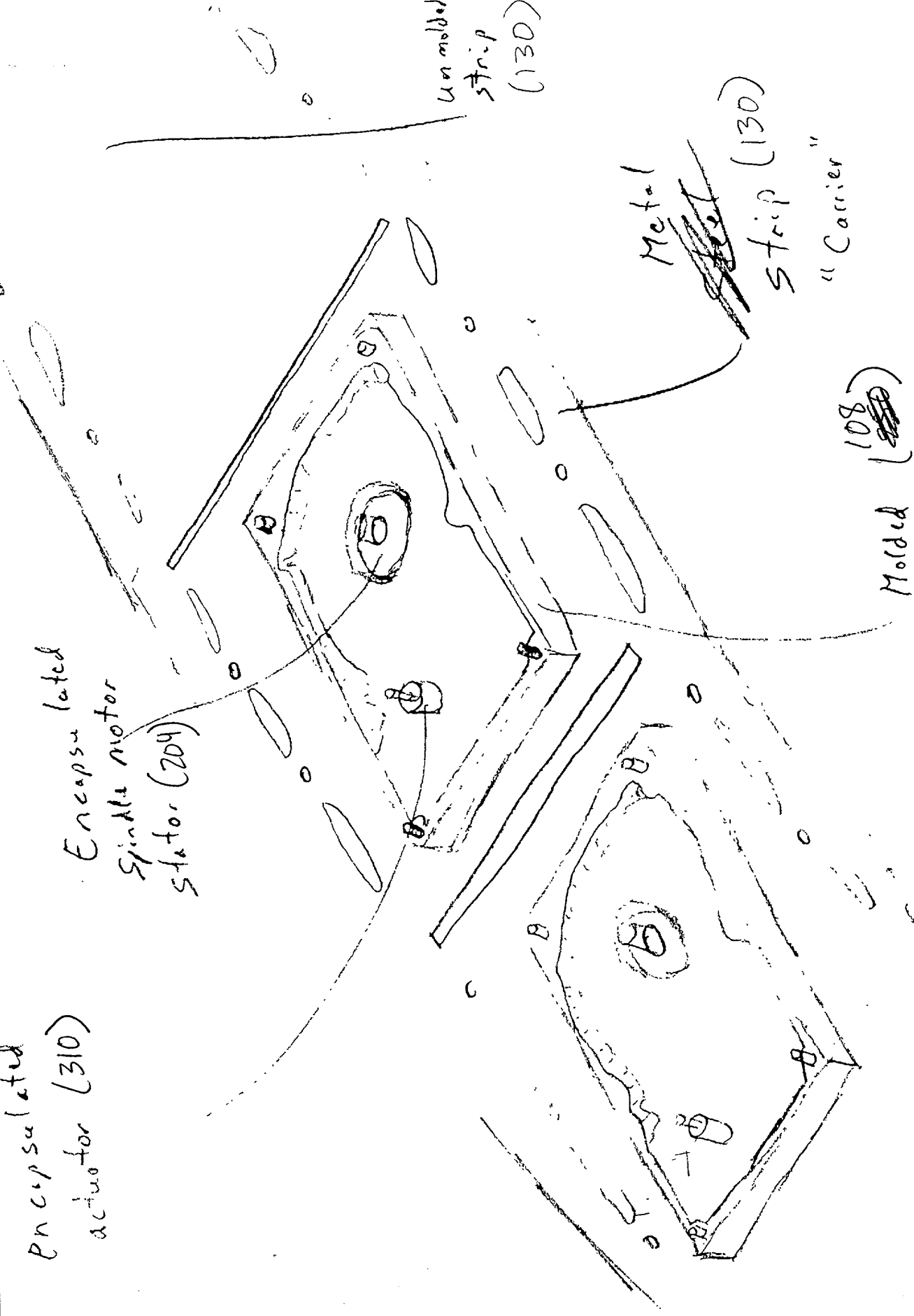


FIG. 6

FIG. 6

